

▶ 定格総荷重

- 定格総荷重とは、水平堅土上における転倒荷重の78%以内で、フックブロック、玉掛用ワイヤロープ等のつり具の質量を含んだ値です。
- 作業半径とはクレーン旋回中心よりつり上荷重の重心までの水平距離を意味します。
- 実際につり上げ得る荷重は定格総荷重から（主フック+玉掛用ワイヤロープ等のつり具）の質量を差し引いた値になります。ただし、中間タワーにブームネスティングローラ（オプション）が付いた状態で作業する場合の定格荷重の最大値は、使用するフックの呼称容量から使用するフック質量とブームネスティングローラ質量（下表）を差し引いた値とします。

タワー

| | | | | | | | | |
|----------|------|------|------|------|------|------|------|------|
| タワー長さ(m) | 30.4 | 33.4 | 36.5 | 39.5 | 42.5 | 45.6 | 48.6 | 51.7 |
| 差し引く値(t) | 0.1 | 0.1 | 0.1 | 0.1 | 0.2 | 0.2 | 0.2 | 0.2 |

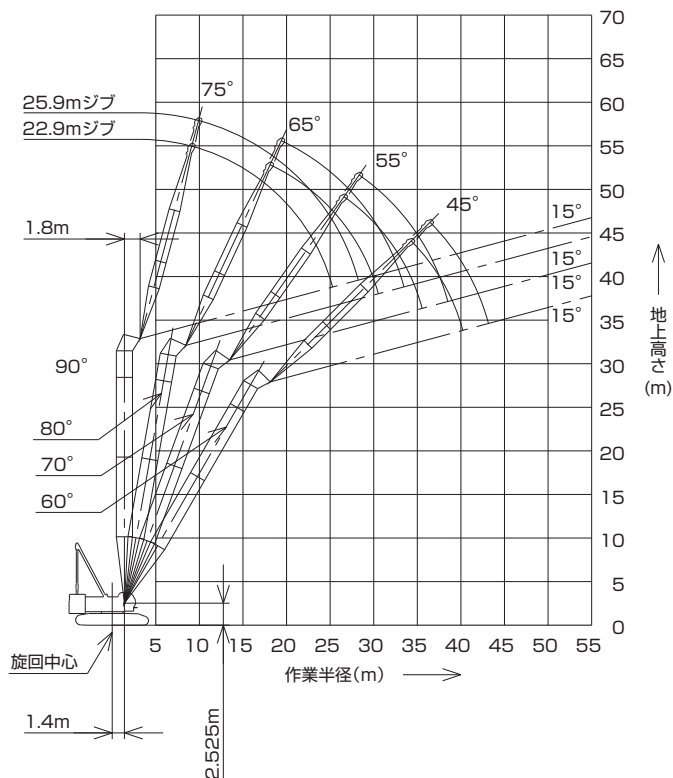
- 定格総荷重をつる場合にも風の影響、地盤の状態、作業速度その他安全作業に有害な状況がある時はオペレータは荷重の軽減、作業速度を遅くするなど状況に応じた判断をする責任があります。
- 表中の空欄の箇所では作業を行うことができません。
- クレーン作業中はガントリを最高位置に立ててください。
- すべてのタワー（ジブ）長さにおける中間タワーブーム（ジブ）の構成は取扱説明書の指示を厳守してください。
- ジブ長さ22.9mにてボールフックの使用はできません。
- 51.7mタワーの自立、降下の際にはクローラの前端に敷板（ブロック）を敷いてください。

△ 操作ミスなどによるつり荷の落下を防ぐため、クレーン作業では自由降下（フリーフォール）作業は行わないでください。

- 巻上げロープ巻掛本数に対する最大巻上荷重とフックの質量

| | | | |
|------------|-----|-------|--------|
| フック呼称 | | 35t | ボールフック |
| 最大巻上荷重 (t) | 1本掛 | 12.0 | 12.0 |
| | 2本掛 | 20.0 | — |
| フック質量 | | 0.90t | 0.45t |

▶タワー長さ 30.4m

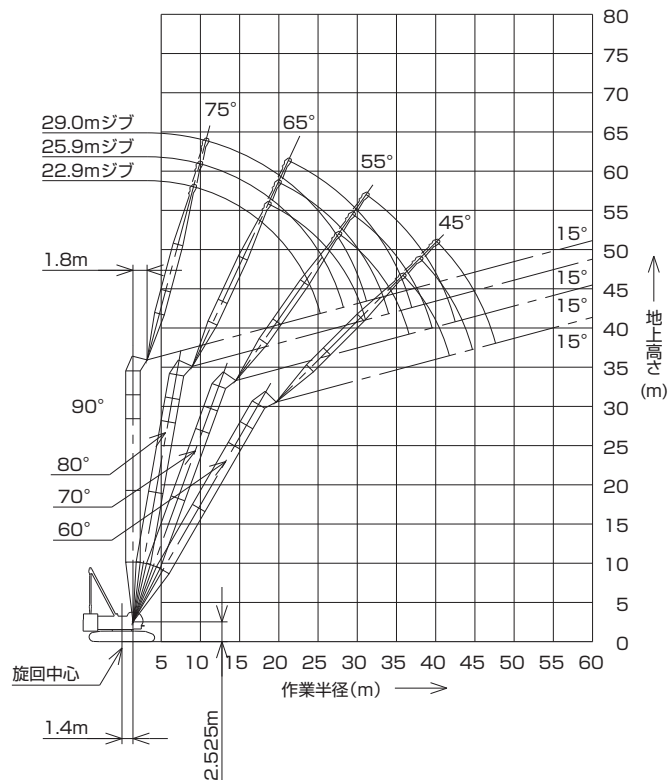


(単位:t)

| タワー長さm | 30.4 | | | | | | | | タワー長さm |
|---------|------|-----------|------------|------------|------------|------------|------------|-----------|-----------|
| ジブ長さm | 22.9 | | | | 25.9 | | | | ジブ長さm |
| タワー角度 | 90° | 80° | 70° | 60° | 90° | 80° | 70° | 60° | タワー角度 |
| 作業半径(m) | 9.4 | 20.0 | | | | | | | 9.4 |
| | 10.0 | 20.0 | | | 20.0/10.2m | | | | 10.0 |
| | 12.0 | 20.0 | | | 20.0 | | | | 12.0 |
| | 14.0 | 20.0 | | | 20.0 | | | | 14.0 |
| | 15.0 | 20.0 | | | 20.0 | | | | 15.0 |
| | 16.0 | 18.7 | | | 18.7 | | | | 16.0 |
| | 18.0 | 16.6 | 16.3/18.4m | | 16.6 | 15.2/19.7m | | | 18.0 |
| | 20.0 | 15.0 | 15.0 | | 15.0 | 15.0 | | | 20.0 |
| | 22.0 | 13.3 | 13.6 | | 13.6 | 13.6 | | | 22.0 |
| | 24.0 | 9.9 | 12.5 | | 12.1 | 12.5 | | | 24.0 |
| | 26.0 | 7.1/25.4m | 11.5 | 11.1/26.8m | 9.5 | 11.5 | | | 26.0 |
| | 28.0 | | 10.7 | 10.7 | 6.7 | 10.7 | 10.5/28.6m | | 28.0 |
| | 30.0 | | 10.0 | 10.0 | 6.1/28.3m | 10.0 | 10.0 | | 30.0 |
| | 32.0 | | 9.4/30.6m | 9.3 | | 9.3 | 9.3 | | 32.0 |
| | 34.0 | | | 8.8 | 8.6/34.5m | | 7.7/33.5m | 8.8 | 34.0 |
| | 36.0 | | | 8.4/35.6m | 8.2 | | | 8.3 | 7.9/36.7m |
| 38.0 | | | | 7.7 | | | 7.8 | 7.6 | 38.0 |
| 40.0 | | | | 7.2 | | | 7.7/38.6m | 7.1 | 40.0 |
| 42.0 | | | | 7.1/40.3m | | | | 6.6 | 42.0 |
| 44.0 | | | | | | | | 6.4/43.2m | 44.0 |

※表中の太線で囲まれた部分は、ブーム等の強度によって定められた値です。
 ※ジブ長さ22.9mでの、ボールフックの使用はできません。

▶タワー長さ 33.4m

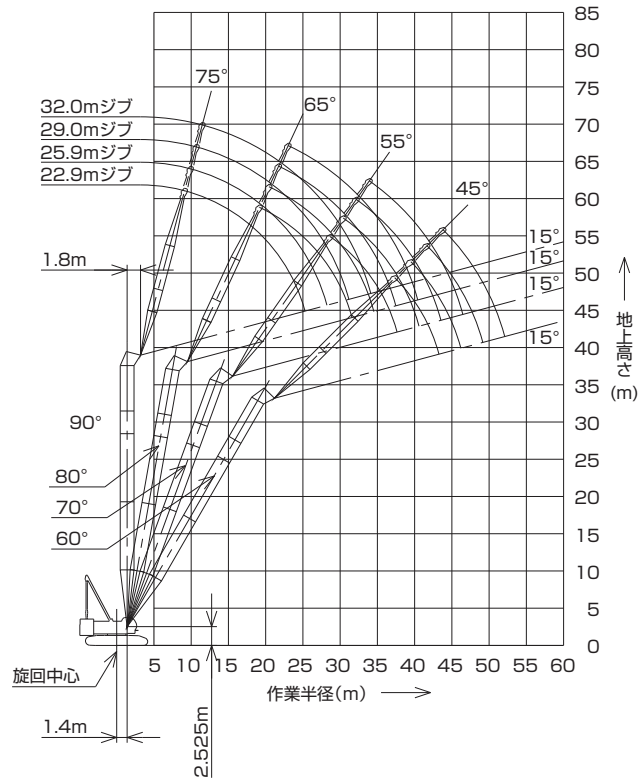


(単位:t)

| タワー長さm | 33.4 | | | | | | | | | | | | タワー長さm | |
|---------|------|-----------|------------|------------|------------|------------|-----------|------------|------------|------------|-----------|-----------|-----------|------|
| ジブ長さm | 22.9 | | | | 25.9 | | | | 29.0 | | | | ジブ長さm | |
| タワー角度 | 90° | 80° | 70° | 60° | 90° | 80° | 70° | 60° | 90° | 80° | 70° | 60° | タワー角度 | |
| 作業半径(m) | 9.4 | 20.0 | | | | | | | | | | | 9.4 | |
| | 10.0 | 20.0 | | | 20.0/10.2m | | | | 20.0/11.0m | | | | 10.0 | |
| | 12.0 | 20.0 | | | 20.0 | | | | 20.0 | | | | 12.0 | |
| | 14.0 | 20.0 | | | 20.0 | | | | 20.0 | | | | 14.0 | |
| | 15.0 | 20.0 | | | 20.0 | | | | 20.0 | | | | 15.0 | |
| | 16.0 | 18.7 | | | 18.7 | | | | 18.7 | | | | 16.0 | |
| | 18.0 | 16.6 | 15.8/18.9m | | 16.6 | | | | 16.6 | | | | 18.0 | |
| | 20.0 | 15.0 | 15.0 | | 15.0 | 14.8/20.2m | | | 15.0 | 13.9/21.5m | | | 20.0 | |
| | 22.0 | 13.4 | 13.6 | | 13.6 | 13.6 | | | 13.6 | 13.6 | | | 22.0 | |
| | 24.0 | 10.0 | 12.5 | | 12.3 | 12.5 | | | 12.5 | 12.5 | | | 24.0 | |
| | 26.0 | 7.2/25.4m | 11.5 | 10.7/27.9m | | 9.7 | 11.5 | | | 11.2 | 11.5 | | 26.0 | |
| | 28.0 | | 10.7 | 10.7 | | 6.9 | 10.7 | 10.1/29.6m | | 9.1 | 10.7 | | 28.0 | |
| | 30.0 | | 10.0 | 10.0 | | 6.2/28.3m | 10.0 | 10.0 | | 7.0 | 10.0 | 9.5/31.4m | 30.0 | |
| | 32.0 | | 9.5/31.1m | 9.3 | | | 9.3 | 9.3 | | 5.3/31.2m | 9.3 | 9.3 | 32.0 | |
| | 34.0 | | | 8.8 | | | 8.6 | 8.8 | | | 8.8 | 8.8 | 34.0 | |
| | 36.0 | | | 8.3 | 7.8 | | 8.1/34.1m | 8.3 | | | 8.3 | 8.3 | 36.0 | |
| | 38.0 | | | 8.1/36.7m | 7.3 | | | 7.8 | 7.1/38.2m | | 7.0/37.0m | 7.8 | 38.0 | |
| | 40.0 | | | | 6.8 | | | 7.5/39.6m | 6.7 | | | 7.4 | 6.5/40.3m | 40.0 |
| | 42.0 | | | | 6.5/41.8m | | | | 6.3 | | | 7.1 | 6.1 | 42.0 |
| | 44.0 | | | | | | | | 5.9 | | | 6.9/42.6m | 5.8 | 44.0 |
| 46.0 | | | | | | | | 5.8/44.8m | | | | 5.4 | 46.0 | |
| 48.0 | | | | | | | | | | | | 5.2/47.7m | 48.0 | |

※表中の太線で囲まれた部分は、ブーム等の強度によって定められた値です。
 ※ジブ長さ22.9mでの、ボールフックの使用はできません。

▶タワー長さ 36.5m

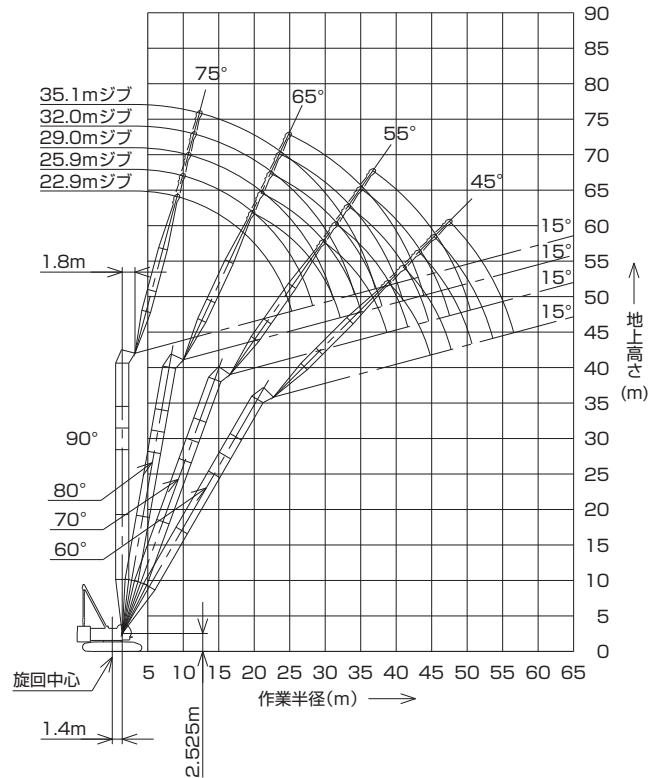


(単位:t)

| タワー長さm | 36.5 | | | | | | | | | | | | | | | | タワー長さm |
|----------|------|-----------|------------|------------|------------|------------|-----------|-----------|------------|-----------|-----------|-----------|------------|------------|-----------|-----------|--------|
| ジブ長さm | 22.9 | | | | 25.9 | | | | 29.0 | | | | 32.0 | | | | ジブ長さm |
| タワー角度 | 90° | 80° | 70° | 60° | 90° | 80° | 70° | 60° | 90° | 80° | 70° | 60° | 90° | 80° | 70° | 60° | タワー角度 |
| 作業半径 (m) | 9.4 | 20.0 | | | | | | | | | | | | | | | 9.4 |
| | 10.0 | 20.0 | | | 20.0/10.2m | | | | 20.0/11.0m | | | | 20.0/11.8m | | | | 10.0 |
| | 12.0 | 20.0 | | | 20.0 | | | | 20.0 | | | | 20.0 | | | | 12.0 |
| | 14.0 | 20.0 | | | 20.0 | | | | 20.0 | | | | 19.6 | | | | 14.0 |
| | 15.0 | 20.0 | | | 20.0 | | | | 20.0 | | | | 19.1 | | | | 15.0 |
| | 16.0 | 18.7 | | | 18.7 | | | | 18.7 | | | | 18.6 | | | | 16.0 |
| | 18.0 | 16.6 | 15.4/19.4m | | 16.6 | | | | 16.6 | | | | 16.6 | | | | 18.0 |
| | 20.0 | 15.0 | 15.0 | | 15.0 | 14.4/20.7m | | | 15.0 | | | | 15.0 | | | | 20.0 |
| | 22.0 | 13.5 | 13.6 | | 13.6 | 13.6 | | | 13.6 | 13.6 | | | 13.6 | 12.8/23.3m | | | 22.0 |
| | 24.0 | 10.1 | 12.5 | | 12.4 | 12.5 | | | 12.5 | 12.5 | | | 12.5 | 12.5 | | | 24.0 |
| | 26.0 | 7.3/25.4m | 11.5 | | 9.8 | 11.5 | | | 11.2 | 11.5 | | | 11.5 | 11.5 | | | 26.0 |
| | 28.0 | | 10.7 | 10.3/28.9m | | 6.9 | 10.7 | | | 9.2 | 10.7 | | | 10.2 | 10.7 | | 28.0 |
| | 30.0 | | 10.0 | 10.0 | | 6.3/28.3m | 10.0 | 9.7/30.7m | | 7.1 | 10.0 | | | 8.6 | 10.0 | | 30.0 |
| | 32.0 | | 9.4/31.7m | 9.3 | | | 9.3 | 9.3 | | 5.4/31.2m | 9.3 | 9.2/32.4m | | 6.9 | 9.3 | | 32.0 |
| | 34.0 | | | 8.8 | | | 8.8 | 8.8 | | 8.8 | 8.8 | | | 5.0 | 8.8 | 8.7/34.2m | 34.0 |
| | 36.0 | | | 8.3 | 7.1/37.6m | | 8.2/34.6m | 8.3 | | 8.3 | 8.3 | | | 4.6/34.2m | 8.3 | 8.3 | 36.0 |
| | 38.0 | | | 7.9/37.7m | 7.0 | | | 7.8 | 6.5/39.7m | | 7.1/37.6m | 7.8 | | | 7.8 | 7.7 | 38.0 |
| 40.0 | | | | 6.5 | | | 7.4 | 6.4 | | | 7.3 | 5.9/41.9m | | 7.0 | 7.2 | 40.0 | |
| 42.0 | | | | 6.1 | | | 7.3/40.7m | 6.0 | | | 6.9 | 5.8 | | 6.2/40.5m | 6.8 | 42.0 | |
| 44.0 | | | | 5.9/43.3m | | | | 5.6 | | | 6.5/43.6m | 5.5 | | | 6.4 | 5.4 | 44.0 |
| 46.0 | | | | | | | | 5.3 | | | | 5.2 | | | 6.0 | 5.1 | 46.0 |
| 48.0 | | | | | | | | 5.2/46.3m | | | | 4.9 | | | 5.9/46.5m | 4.8 | 48.0 |
| 50.0 | | | | | | | | | | | | 4.7/49.2m | | | | 4.5 | 50.0 |
| 52.0 | | | | | | | | | | | | | | | | 4.3 | 52.0 |
| 54.0 | | | | | | | | | | | | | | | | 4.2/52.2m | 54.0 |

※表中の太線で囲まれた部分は、ブーム等の強度によって定められた値です。
 ※ジブ長さ22.9mでの、ボールフックの使用はできません。

▼タワー長さ 39.5m



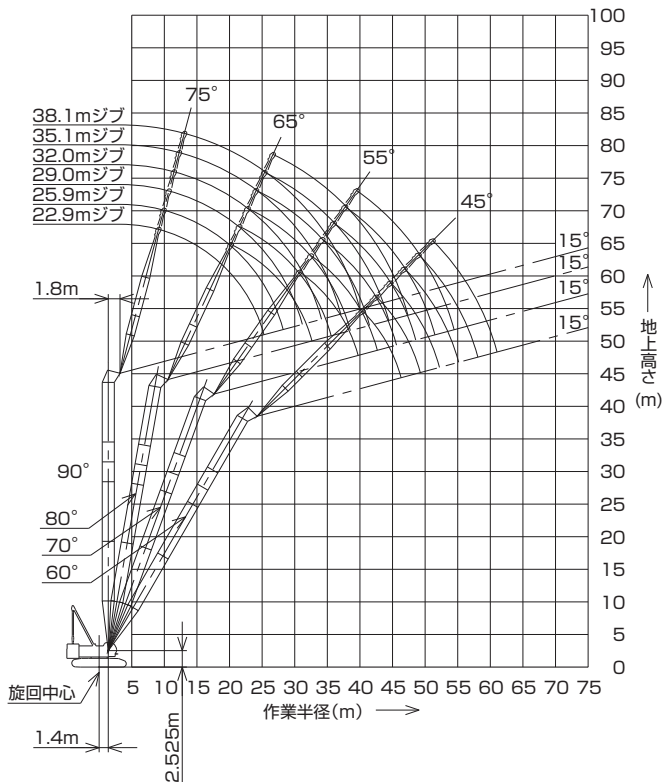
(単位:t)

| タワー長さm | 39.5 | | | | | | | | | | | | | | | | タワー長さm | | | | | |
|--------|-----------|-----------|-----------|-----------|------------|------------|-----------|-----------|------------|------------|-----------|-----|------------|------------|-----------|-----|-----------|------------|------------|-----------|-----------|------|
| ジブ長さm | 22.9 | | | | 25.9 | | | | 29.0 | | | | 32.0 | | | | 35.1 | | | | ジブ長さm | |
| タワー角度 | 90° | 80° | 70° | 60° | 90° | 80° | 70° | 60° | 90° | 80° | 70° | 60° | 90° | 80° | 70° | 60° | 90° | 80° | 70° | 60° | タワー角度 | |
| 9.4 | 20.0 | | | | | | | | | | | | | | | | | | | | 9.4 | |
| 10.0 | 20.0 | | | | 20.0/10.2m | | | | 20.0/11.0m | | | | 20.0/11.8m | | | | | | | | 10.0 | |
| 12.0 | 20.0 | | | | 20.0 | | | | 20.0 | | | | 20.0 | | | | | 16.5/12.5m | | | 12.0 | |
| 14.0 | 20.0 | | | | 20.0 | | | | 20.0 | | | | 19.6 | | | | | 16.3 | | | 14.0 | |
| 15.0 | 20.0 | | | | 20.0 | | | | 20.0 | | | | 19.1 | | | | | 16.0 | | | 15.0 | |
| 16.0 | 18.7 | | | | 18.7 | | | | 18.7 | | | | 18.6 | | | | | 15.7 | | | 16.0 | |
| 18.0 | 16.6 | | | | 16.6 | | | | 16.6 | | | | 16.6 | | | | | 15.3 | | | 18.0 | |
| 20.0 | 15.0 | 15.0 | | | 15.0 | 14.1/21.2m | | | 15.0 | | | | 15.0 | | | | | 14.9 | | | 20.0 | |
| 22.0 | 13.6 | 13.6 | | | 13.6 | 13.6 | | | 13.6 | 13.3/22.5m | | | 13.6 | 12.6/23.8m | | | | 13.6 | | | 22.0 | |
| 24.0 | 10.2 | 12.5 | | | 12.4 | 12.5 | | | 12.5 | 12.5 | | | 12.5 | 12.5 | | | | 12.5 | 11.9/25.1m | | 24.0 | |
| 26.0 | 7.4/25.4m | 11.5 | | | 9.8 | 11.5 | | | 11.3 | 11.5 | | | 11.5 | 11.5 | | | | 11.5 | 11.5 | | 26.0 | |
| 28.0 | | 10.7 | | | 7.0 | 10.7 | | | 9.3 | 10.7 | | | 10.2 | 10.7 | | | | 10.7 | 10.7 | | 28.0 | |
| 30.0 | | 10.0 | 10.0 | | 6.3/28.3m | 10.0 | 9.4/31.7m | | 7.2 | 10.0 | | | 8.6 | 10.0 | | | | 9.4 | 10.0 | | 30.0 | |
| 32.0 | | 9.3 | 9.3 | | | 9.3 | 9.3 | | 5.4/31.2m | 9.3 | 8.9/33.5m | | 6.9 | 9.3 | | | | 8.0 | 9.3 | | 32.0 | |
| 34.0 | | 9.3/32.2m | 8.8 | | | 8.8 | 8.8 | | 8.8 | 8.7 | | | 5.0 | 8.8 | 8.2/35.2m | | | 6.7 | 8.8 | | 34.0 | |
| 36.0 | | | 8.3 | | | 8.2/35.1m | 8.2 | | 8.3 | 8.1 | | | 4.7/34.2m | 8.3 | 8.0 | | | 5.2 | 8.3 | 7.6/36.9m | 36.0 | |
| 38.0 | | | 7.8 | 6.3/39.1m | | | 7.7 | | 7.5 | 7.5 | | | 7.8 | 7.4 | | | 4.1/37.1m | 7.8 | 7.3 | | 38.0 | |
| 40.0 | | | 7.6/38.8m | 6.1 | | | 7.2 | 5.7/41.2m | 7.1/38.1m | 7.0 | | | 7.4 | 6.9 | | | | 7.5 | 6.8 | | 40.0 | |
| 42.0 | | | | 5.8 | | | 6.8/41.7m | 5.6 | | 6.6 | 5.2/43.4m | | 6.2/41.0m | 6.5 | | | | 7.1 | 6.4 | | 42.0 | |
| 44.0 | | | | 5.4 | | | | 5.3 | | 6.2 | 5.1 | | | 6.1 | 4.8/45.5m | | | 5.4 | 6.0 | | 44.0 | |
| 46.0 | | | | 5.3/44.9m | | | | 4.9 | | 6.1/44.6m | 4.8 | | | 5.8 | 4.7 | | | | 5.7 | 4.4/47.7m | 46.0 | |
| 48.0 | | | | | | | | 4.7/47.8m | | | 4.5 | | | 5.5/47.6m | 4.4 | | | | 5.3 | 4.3 | 48.0 | |
| 50.0 | | | | | | | | | | | 4.3 | | | | 4.2 | | | | 5.1 | 4.1 | 50.0 | |
| 52.0 | | | | | | | | | | | 4.2/50.8m | | | | 3.9 | | | | 5.0/50.5m | 3.8 | 52.0 | |
| 54.0 | | | | | | | | | | | | | | | 3.7/53.7m | | | | | 3.6 | 54.0 | |
| 56.0 | | | | | | | | | | | | | | | | | | | | | 3.4 | 56.0 |
| 58.0 | | | | | | | | | | | | | | | | | | | | | 3.3/56.8m | 58.0 |

※表中の太線で囲まれた部分は、ブーム等の強度によって定められた値です。
 ※ジブ長さ22.9mでの、ボールフックの使用はできません。

▶タワー長さ 42.5m

(単位:t)



| タワー長さm | 42.5 | | | | タワー長さm |
|--------|-----------|------------|-----------|-----------|--------|
| ジブ長さm | 22.9 | | | | ジブ長さm |
| タワー角度 | 90° | 80° | 70° | 60° | タワー角度 |
| 9.4 | 20.0 | | | | 9.4 |
| 10.0 | 20.0 | | | | 10.0 |
| 12.0 | 20.0 | | | | 12.0 |
| 14.0 | 20.0 | | | | 14.0 |
| 15.0 | 20.0 | | | | 15.0 |
| 16.0 | 18.7 | | | | 16.0 |
| 18.0 | 16.6 | | | | 18.0 |
| 20.0 | 15.0 | 14.6/20.5m | | | 20.0 |
| 22.0 | 13.6 | 13.6 | | | 22.0 |
| 24.0 | 10.3 | 12.5 | | | 24.0 |
| 26.0 | 7.5/25.4m | 11.5 | | | 26.0 |
| 28.0 | | 10.7 | | | 28.0 |
| 30.0 | | 10.0 | 9.6/31.0m | | 30.0 |
| 32.0 | | 9.3 | 9.3 | | 32.0 |
| 34.0 | | 9.1/32.7m | 8.7 | | 34.0 |
| 36.0 | | | 8.1 | | 36.0 |
| 38.0 | | | 7.5 | | 38.0 |
| 40.0 | | | 7.1/39.8m | 5.7/40.6m | 40.0 |
| 42.0 | | | | 5.4 | 42.0 |
| 44.0 | | | | 5.1 | 44.0 |
| 46.0 | | | | 4.8 | 46.0 |
| 48.0 | | | | 4.7/46.4m | 48.0 |
| 50.0 | | | | | 50.0 |
| 52.0 | | | | | 52.0 |
| 54.0 | | | | | 54.0 |
| 56.0 | | | | | 56.0 |
| 58.0 | | | | | 58.0 |
| 60.0 | | | | | 60.0 |

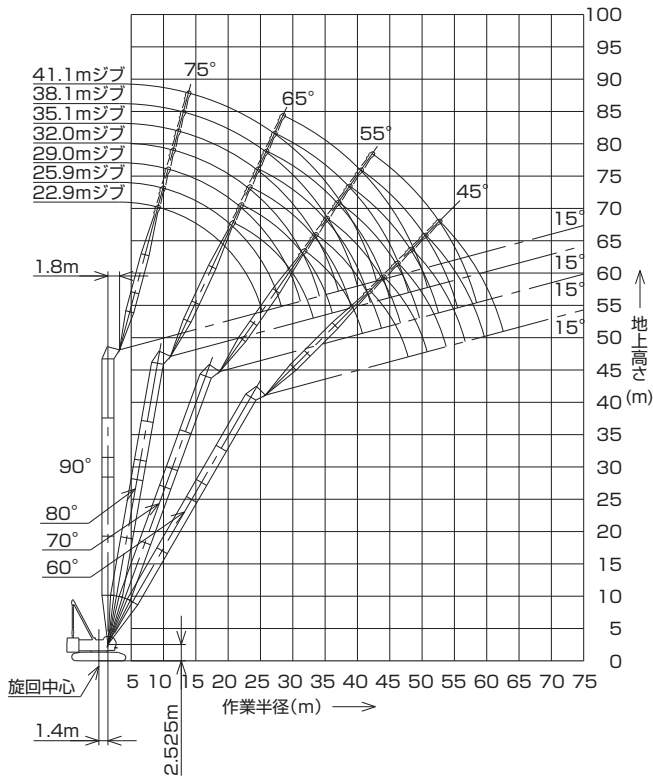
(単位:t)

| タワー長さm | 42.5 | | | | | | | | | | | | | | | | タワー長さm | | | | |
|--------|------------|------------|-----------|-----------|------------|------------|-----|------------|------------|-----------|-----|-----|------|-----|-----------|------------|--------|-----|------------|-----------|-------|
| ジブ長さm | 25.9 | | | | 29.0 | | | | 32.0 | | | | 35.1 | | | | 38.1 | | | | ジブ長さm |
| タワー角度 | 90° | 80° | 70° | 60° | 80° | 70° | 60° | 90° | 80° | 70° | 60° | 90° | 80° | 70° | 60° | 90° | 80° | 70° | 60° | タワー角度 | |
| 10.0 | 20.0/10.2m | | | | 20.0/11.0m | | | 20.0/11.8m | | | | | | | | | | | | 10.0 | |
| 12.0 | 20.0 | | | | 20.0 | | | 20.0 | | | | | | | | 16.5/12.5m | | | 13.6/13.3m | 12.0 | |
| 14.0 | 20.0 | | | | 20.0 | | | 19.5 | | | | | | | 16.2 | | | | 13.6 | 14.0 | |
| 15.0 | 20.0 | | | | 20.0 | | | 19.0 | | | | | | | 16.0 | | | | 13.4 | 15.0 | |
| 16.0 | 18.7 | | | | 18.7 | | | 18.5 | | | | | | | 15.7 | | | | 13.1 | 16.0 | |
| 18.0 | 16.6 | | | | 16.6 | | | 16.6 | | | | | | | 15.3 | | | | 12.7 | 18.0 | |
| 20.0 | 15.0 | 13.7/21.8m | | | 15.0 | | | 15.0 | | | | | | | 14.8 | | | | 12.3 | 20.0 | |
| 22.0 | 13.6 | 13.6 | | | 13.6 | 12.9/23.1m | | 13.6 | | | | | | | 13.6 | | | | 11.9 | 22.0 | |
| 24.0 | 12.5 | 12.5 | | | 12.5 | 12.5 | | 12.5 | 12.2/24.4m | | | | | | 12.5 | 11.7/25.6m | | | 11.6 | 24.0 | |
| 26.0 | 9.9 | 11.5 | | | 11.3 | 11.5 | | 11.5 | 11.5 | | | | | | 11.5 | 11.5 | | | 11.2 | 26.0 | |
| 28.0 | 7.1 | 10.7 | | | 9.3 | 10.7 | | 10.3 | 10.7 | | | | | | 10.7 | 10.7 | | | 10.5 | 28.0 | |
| 30.0 | 6.4/28.3m | 10.0 | | | 7.2 | 10.0 | | 8.7 | 10.0 | | | | | | 9.4 | 10.0 | | | 9.6 | 30.0 | |
| 32.0 | | 9.3 | 9.0/32.7m | | 5.5/31.2m | 9.3 | | 7.0 | 9.3 | | | | | | 8.0 | 9.3 | | | 8.5 | 32.0 | |
| 34.0 | | 8.8 | 8.6 | | 8.8 | 8.2/34.5m | | 5.1 | 8.8 | | | | | | 6.7 | 8.8 | | | 7.4 | 34.0 | |
| 36.0 | | 8.2/35.7m | 7.9 | | 8.3 | 7.8 | | 4.7/34.2m | 8.3 | 7.6/36.2m | | | | | 5.3 | 8.3 | | | 6.3 | 36.0 | |
| 38.0 | | 7.4 | | | 7.8 | 7.3 | | 7.8 | 7.2 | | | | | | 4.1/37.1m | 7.8 | 7.1 | | 5.1 | 38.0 | |
| 40.0 | | 6.9 | | | 7.1/38.6m | 6.8 | | 7.5 | 6.7 | | | | | | 7.5 | 6.6 | | | 3.7 | 40.0 | |
| 42.0 | | 6.5 | 5.1/42.8m | | 6.4 | | | 6.2/41.5m | 6.3 | | | | | | 7.1 | 6.2 | | | 3.5/40.1m | 42.0 | |
| 44.0 | | 6.3/42.7m | 4.9 | | 6.0 | 4.6/44.9m | | 5.9 | | | | | | | 6.1 | 5.8 | | | 6.7 | 44.0 | |
| 46.0 | | | 4.7 | | 5.7/45.7m | 4.5 | | 5.5 | 4.2/47.1m | | | | | | 5.4/44.5m | 5.5 | | | 5.9 | 46.0 | |
| 48.0 | | | 4.4 | | 4.2 | | | 5.2 | 4.1 | | | | | | 5.1 | 3.8/49.2m | | | 4.7/47.4m | 48.0 | |
| 50.0 | | | | 4.2/49.3m | 3.9 | | | 5.1/48.6m | 3.8 | | | | | | 4.9 | 3.7 | | | 4.7 | 50.0 | |
| 52.0 | | | | | 3.7 | | | 3.7 | | | | | | | 4.7/51.6m | 3.4 | | | 4.5 | 52.0 | |
| 54.0 | | | | | | 3.7/52.3m | | 3.3 | | | | | | | | 3.2 | | | 4.2 | 54.0 | |
| 56.0 | | | | | | | | | | 3.2/55.2m | | | | | | 3.0 | | | 4.1/64.5m | 56.0 | |
| 58.0 | | | | | | | | | | | | | | | | 2.8 | | | | 2.6 | 58.0 |
| 60.0 | | | | | | | | | | | | | | | | 2.8/58.2m | | | | 2.5 | 60.0 |
| 62.0 | | | | | | | | | | | | | | | | | | | | 2.4/61.1m | 62.0 |

※表中の太線で囲まれた部分は、ブーム等の強度によって定められた値です。
 ※ジブ長さ22.9mでの、ボールフックの使用はできません。

▶タワー長さ 45.6m

(単位:t)



| タワー長さm | 45.6 | | | | | | | | タワー長さm |
|--------|-----------|------------|-----------|-----------|------------|------------|-----------|-----------|--------|
| ジブ長さm | 22.9 | | | | 25.9 | | | | ジブ長さm |
| タワー角度 | 90° | 80° | 70° | 60° | 90° | 80° | 70° | 60° | タワー角度 |
| 9.4 | 20.0 | | | | | | | | 9.4 |
| 10.0 | 20.0 | | | | 20.0/10.2m | | | | 10.0 |
| 12.0 | 20.0 | | | | 20.0 | | | | 12.0 |
| 14.0 | 20.0 | | | | 20.0 | | | | 14.0 |
| 15.0 | 20.0 | | | | 20.0 | | | | 15.0 |
| 16.0 | 18.7 | | | | 18.7 | | | | 16.0 |
| 18.0 | 16.6 | | | | 16.6 | | | | 18.0 |
| 20.0 | 15.0 | 14.2/21.0m | | | 15.0 | | | | 20.0 |
| 22.0 | 13.6 | 13.6 | | | 13.6 | 13.4/22.3m | | | 22.0 |
| 24.0 | 10.3 | 12.5 | | | 12.5 | 12.5 | | | 24.0 |
| 26.0 | 7.5/25.4m | 11.5 | | | 9.9 | 11.5 | | | 26.0 |
| 28.0 | | 10.7 | | | 7.1 | 10.7 | | | 28.0 |
| 30.0 | | 10.0 | | | 6.4/28.3m | 10.0 | | | 30.0 |
| 32.0 | | 9.3 | 9.1 | | | 9.3 | 8.3/33.8m | | 32.0 |
| 34.0 | | 9.0/33.2m | 8.4 | | | 8.8 | 8.3 | | 34.0 |
| 36.0 | | | 7.8 | | | 8.3 | 7.7 | | 36.0 |
| 38.0 | | | 7.3 | | | 8.2/36.2m | 7.2 | | 38.0 |
| 40.0 | | | 6.8 | | | | 6.7 | | 40.0 |
| 42.0 | | | 6.6/40.8m | 5.1/42.1m | | | 6.3 | | 42.0 |
| 44.0 | | | | 4.8 | | | 5.9/43.8m | 4.5/44.3m | 44.0 |
| 46.0 | | | | 4.5 | | | | 4.3 | 46.0 |
| 48.0 | | | | 4.2/47.9m | | | | 4.0 | 48.0 |
| 50.0 | | | | | | | | 3.7 | 50.0 |
| 52.0 | | | | | | | | 3.6/50.9m | 52.0 |
| 54.0 | | | | | | | | | 54.0 |
| 56.0 | | | | | | | | | 56.0 |
| 58.0 | | | | | | | | | 58.0 |
| 60.0 | | | | | | | | | 60.0 |

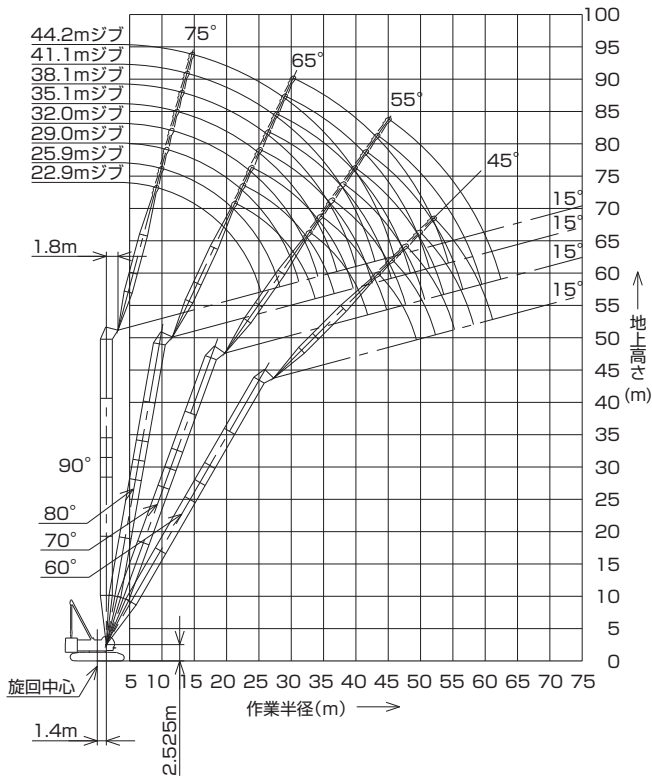
(単位:t)

| タワー長さm | 45.6 | | | | | | | | | | | | | | | | タワー長さm | | | | | | |
|--------|------------|------------|-----------|-----------|------------|------------|-----------|-----------|------------|------------|-----------|-----|------------|------------|-----------|-----|------------|-----------|-----------|-----|-------|------|------|
| ジブ長さm | 29.0 | | | | 32.0 | | | | 35.1 | | | | 38.1 | | | | 41.1 | | | | ジブ長さm | | |
| タワー角度 | 90° | 80° | 70° | 60° | 90° | 80° | 70° | 60° | 90° | 80° | 70° | 60° | 90° | 80° | 70° | 60° | 90° | 80° | 70° | 60° | タワー角度 | | |
| 10.0 | 20.0/11.0m | | | | 20.0/11.8m | | | | | | | | | | | | | | | | | 10.0 | |
| 12.0 | 20.0 | | | | 20.0 | | | | 16.5/12.5m | | | | 13.6/13.3m | | | | | | | | | 12.0 | |
| 14.0 | 20.0 | | | | 19.5 | | | | 16.2 | | | | 13.6 | | | | 10.7/14.1m | | | | | 14.0 | |
| 15.0 | 20.0 | | | | 19.0 | | | | 16.0 | | | | 13.3 | | | | 10.7 | | | | | 15.0 | |
| 16.0 | 18.7 | | | | 18.5 | | | | 15.7 | | | | 13.1 | | | | 10.5 | | | | | 16.0 | |
| 18.0 | 16.6 | | | | 16.6 | | | | 15.2 | | | | 12.7 | | | | 10.2 | | | | | 18.0 | |
| 20.0 | 15.0 | | | | 15.0 | | | | 14.8 | | | | 12.3 | | | | 9.8 | | | | | 20.0 | |
| 22.0 | 13.6 | 12.7/23.6m | | | 13.6 | | | | 13.6 | | | | 11.9 | | | | 9.5 | | | | | 22.0 | |
| 24.0 | 12.5 | 12.5 | | | 12.5 | 12.0/24.9m | | | 12.5 | | | | 11.6 | | | | 9.2 | | | | | 24.0 | |
| 26.0 | 11.3 | 11.5 | | | 11.5 | 11.5 | | | 11.5 | 11.4/26.2m | | | 11.1 | 10.9/27.5m | | | 8.9 | | | | | 26.0 | |
| 28.0 | 9.3 | 10.7 | | | 10.3 | 10.7 | | | 10.7 | 10.7 | | | 10.5 | 10.7 | | | 8.6 | 9.8/28.7m | | | | 28.0 | |
| 30.0 | 7.2 | 10.0 | | | 8.7 | 10.0 | | | 9.4 | 10.0 | | | 9.6 | 10.0 | | | 8.3 | 9.6 | | | | 30.0 | |
| 32.0 | 5.5/31.2m | 9.3 | | | 7.0 | 9.3 | | | 8.1 | 9.3 | | | 8.5 | 9.3 | | | 7.8 | 9.3 | | | | 32.0 | |
| 34.0 | | 8.8 | 7.6/35.5m | | 5.2 | 8.8 | | | 6.7 | 8.8 | | | 7.4 | 8.8 | | | 7.3 | 8.8 | | | | 34.0 | |
| 36.0 | | 8.3 | 7.5 | | 4.8/34.2m | 8.3 | 7.1/37.3m | | 5.3 | 8.3 | | | 6.3 | 8.3 | | | 6.8 | 8.3 | | | | 36.0 | |
| 38.0 | | 7.8 | 7.0 | | | 7.8 | 6.9 | | 4.1/37.1m | 7.8 | 6.6/39.0m | | 5.1 | 7.8 | | | 6.2 | 7.8 | | | | 38.0 | |
| 40.0 | | 7.1/39.1m | 6.5 | | | 7.5 | 6.4 | | | 7.5 | 6.3 | | 3.8 | 7.5 | 6.0/40.8m | | 5.2 | 7.5 | | | | 40.0 | |
| 42.0 | | | 6.1 | | | 6.5 | 6.0 | | | 7.1 | 5.9 | | 3.5/40.1m | 7.1 | 5.8 | | 4.1 | 7.1 | 5.6/42.5m | | | 42.0 | |
| 44.0 | | | 5.8 | | | 6.2/42.1m | 5.7 | | | 6.8 | 5.6 | | | 6.7 | 5.4 | | 3.2/43.0m | 6.6 | 5.3 | | | 44.0 | |
| 46.0 | | | 5.4 | 4.0/46.4m | | | 5.3 | | | 5.4/45.0m | 5.2 | | | 6.2 | 5.1 | | 6.2 | 5.0 | | | | 46.0 | |
| 48.0 | | | 5.3/46.7m | 3.8 | | | 5.0 | 3.6/48.6m | | 4.9 | | | | 4.7 | 4.7 | | | 5.8 | 4.7 | | | 48.0 | |
| 50.0 | | | | 3.5 | | | 4.8/49.7m | 3.4 | | 4.7 | 3.2/50.7m | | | | 4.5 | | | 5.2 | 4.4 | | | 50.0 | |
| 52.0 | | | | 3.3 | | | | 3.2 | | 4.4 | 3.0 | | | 4.3 | 2.7/52.9m | | | 4.3/50.9m | 4.2 | | | 52.0 | |
| 54.0 | | | | 3.1/53.8m | | | | 3.0 | | 4.3/52.6m | 2.8 | | | 4.0 | 2.6 | | | 3.9 | 2.4/55.1m | | | 54.0 | |
| 56.0 | | | | | | | | 2.8 | | | 2.7 | | | 3.9/55.6m | 2.5 | | | 3.7 | 2.3 | | | 56.0 | |
| 58.0 | | | | | | | | 2.7/56.7m | | | 2.5 | | | | 2.4 | | | 3.5 | 2.1 | | | 58.0 | |
| 60.0 | | | | | | | | | | | 2.3/59.7m | | | | 2.2 | | | 3.5/58.5m | 2.0 | | | 60.0 | |
| 62.0 | | | | | | | | | | | | | | | 2.1 | | | | 1.8 | | | 62.0 | |
| 64.0 | | | | | | | | | | | | | | | | | 2.0/62.6m | | 1.7 | | | 64.0 | |
| 66.0 | | | | | | | | | | | | | | | | | | | 1.6/65.5m | | | | 66.0 |

※表中の太線で囲まれた部分は、ブーム等の強度によって定められた値です。
 ※ジブ長さ22.9mでの、ボールフックの使用はできません。

▶タワー長さ 48.6m

(単位:t)



| タワー長さm | | 48.6 | | | | | | | | タワー長さm |
|----------|------|-----------|------------|-----------|------------|------------|-----------|-----------|-------|--------|
| ジブ長さm | | 22.9 | | | | 25.9 | | | | ジブ長さm |
| タワー角度 | 90° | 80° | 70° | 60° | 90° | 80° | 70° | 60° | タワー角度 | |
| 作業半径 (m) | 9.4 | 20.0 | | | | | | | 9.4 | |
| | 10.0 | 20.0 | | | 20.0/10.2m | | | | 10.0 | |
| | 12.0 | 20.0 | | | 20.0 | | | | 12.0 | |
| | 14.0 | 20.0 | | | 20.0 | | | | 14.0 | |
| | 15.0 | 20.0 | | | 19.8 | | | | 15.0 | |
| | 16.0 | 18.7 | | | 18.7 | | | | 16.0 | |
| | 18.0 | 16.6 | | | 16.6 | | | | 18.0 | |
| | 20.0 | 15.0 | 13.9/21.5m | | 15.0 | | | | 20.0 | |
| | 22.0 | 13.6 | 13.6 | | 13.6 | 13.1/22.8m | | | 22.0 | |
| | 24.0 | 10.4 | 12.5 | | 12.5 | 12.5 | | | 24.0 | |
| | 26.0 | 7.5/25.4m | 11.5 | | 10.0 | 11.5 | | | 26.0 | |
| | 28.0 | | 10.7 | | 7.1 | 10.7 | | | 28.0 | |
| | 30.0 | | 10.0 | | 6.4/28.3m | 10.0 | | | 30.0 | |
| | 32.0 | | 9.3 | 8.3/33.1m | | 9.3 | | | 32.0 | |
| | 34.0 | | 8.8/33.8m | 8.0 | | 8.8 | 7.6/34.8m | | 34.0 | |
| | 36.0 | | | 7.5 | | 8.3 | 7.3 | | 36.0 | |
| | 38.0 | | | 7.0 | | 8.1/36.7m | 6.8 | | 38.0 | |
| | 40.0 | | | 6.5 | | | 6.4 | | 40.0 | |
| | 42.0 | | | 6.1/41.9m | 4.3/43.7m | | 6.0 | | 42.0 | |
| | 44.0 | | | | 4.2 | | 5.6 | 3.7/45.8m | 44.0 | |
| 46.0 | | | | 3.9 | | 5.5/44.8m | 3.7 | 46.0 | | |
| 48.0 | | | | 3.7 | | | 3.5 | 48.0 | | |
| 50.0 | | | | | 3.5/49.4m | | 3.2 | 50.0 | | |
| 52.0 | | | | | | | 3.0 | 52.0 | | |
| 54.0 | | | | | | | 2.9/52.4m | 54.0 | | |
| 56.0 | | | | | | | | 56.0 | | |
| 58.0 | | | | | | | | 58.0 | | |
| 60.0 | | | | | | | | 60.0 | | |

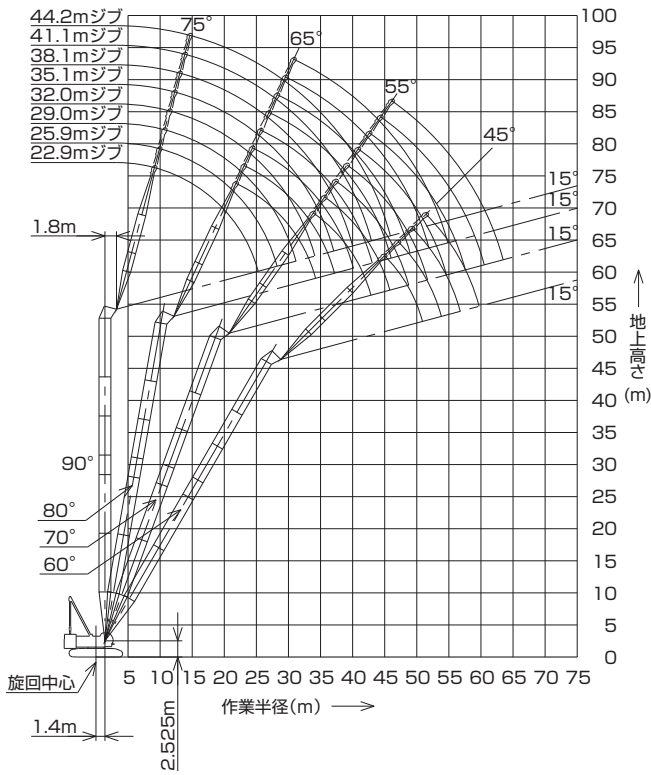
(単位:t)

| タワー長さm | | 48.6 | | | | | | | | | | | | | | | | | | タワー長さm | | | | | | | | |
|----------|------|------------|------------|-----------|------------|-----------|------------|-----------|------------|------|------------|-----------|------------|------|-----------|-----------|------------|------|-----------|--------|-----|-----------|-----------|-----------|-----------|-------|-----------|------|
| ジブ長さm | | 29.0 | | | | 32.0 | | | | 35.1 | | | | 38.1 | | | | 41.1 | | | | 44.2 | | | | ジブ長さm | | |
| タワー角度 | 90° | 80° | 70° | 60° | 90° | 80° | 70° | 60° | 90° | 80° | 70° | 60° | 90° | 80° | 70° | 60° | 90° | 80° | 70° | 60° | 90° | 80° | 70° | タワー角度 | | | | |
| 作業半径 (m) | 10.0 | 20.0/11.0m | | | 19.9/11.8m | | | | | | | | 13.6/13.3m | | | | | | | | | | | 10.0 | | | | |
| | 12.0 | 20.0 | | | 19.9 | | | | 16.5/12.5m | | | | 13.6 | | | | | | | | | | | 12.0 | | | | |
| | 14.0 | 19.5 | | | 18.6 | | | | 16.2 | | | | 13.6 | | | | 10.7/14.1m | | | | | 9.1/14.9m | | 14.0 | | | | |
| | 15.0 | 18.9 | | | 18.0 | | | | 15.9 | | | | 13.3 | | | | 10.7 | | | | | 9.1 | | 15.0 | | | | |
| | 16.0 | 18.3 | | | 17.5 | | | | 15.7 | | | | 13.1 | | | | 10.5 | | | | | 8.9 | | 16.0 | | | | |
| | 18.0 | 16.6 | | | 16.5 | | | | 15.2 | | | | 12.7 | | | | 10.1 | | | | | 8.6 | | 18.0 | | | | |
| | 20.0 | 15.0 | | | 15.0 | | | | 14.8 | | | | 12.3 | | | | 9.8 | | | | | 8.3 | | 20.0 | | | | |
| | 22.0 | 13.6 | | | 13.6 | | | | 13.6 | | | | 11.9 | | | | 9.5 | | | | | 8.0 | | 22.0 | | | | |
| | 24.0 | 12.5 | 12.4/24.1m | | | 12.5 | 11.8/25.4m | | | 12.5 | | | 11.5 | | | | 9.2 | | | | | 7.7 | | 24.0 | | | | |
| | 26.0 | 11.4 | 11.5 | | | 11.5 | 11.5 | | | 11.5 | 11.2/26.7m | | | 11.1 | | | | 8.9 | | | | 7.4 | | 26.0 | | | | |
| | 28.0 | 9.4 | 10.7 | | | 10.3 | 10.7 | | | 10.7 | 10.7 | | | 10.5 | 10.7 | | | 8.6 | 9.8/29.3m | | | 7.2 | | 28.0 | | | | |
| | 30.0 | 7.3 | 10.0 | | | 8.7 | 10.0 | | | 9.4 | 10.0 | | | 9.6 | 10.0 | | | 8.3 | 9.6 | | | 6.9 | 8.0/30.6m | | 30.0 | | | |
| | 32.0 | 6.5/31.2m | 9.3 | | | 7.1 | 9.3 | | | 8.1 | 9.3 | | | 8.5 | 9.3 | | | 7.8 | 9.2 | | | 6.7 | 7.8 | | 32.0 | | | |
| | 34.0 | | 8.8 | | | 5.2 | 8.8 | | | 6.7 | 8.8 | | | 7.4 | 8.8 | | | 7.3 | 8.8 | | | 6.4 | 7.6 | | 34.0 | | | |
| | 36.0 | | 8.3 | 7.0/36.6m | | 4.8/34.2m | 8.3 | | | 5.3 | 8.3 | | | 6.3 | 8.3 | | | 6.8 | 8.3 | | | 6.0 | 7.3 | | 36.0 | | | |
| | 38.0 | | 7.8 | 6.7 | | | 7.8 | 6.5/38.3m | | | 4.1/37.1m | 7.8 | | | 5.1 | 7.8 | | | 6.2 | 7.8 | | | 5.6 | 7.1 | | 38.0 | | |
| | 40.0 | | 7.1/39.7m | 6.2 | | | 7.3 | 6.1 | | | 7.5 | 6.0/40.1m | | | 3.8 | 7.5 | 5.5/41.8m | | | | | 5.2 | 7.3 | | 40.0 | | | |
| | 42.0 | | | 5.8 | | | 6.7 | 5.7 | | | 7.1 | 5.6 | | | 3.5/40.1m | 6.9 | 5.5 | | | | | 4.1 | 6.8 | 5.1/43.6m | | 42.0 | | |
| | 44.0 | | | 5.5 | | | 6.2/42.6m | 5.4 | | | 6.5 | 5.3 | | | | 6.5 | 5.1 | | | | | 3.2/43.0m | 6.4 | 5.0 | 4.0 | 6.2 | 4.7/45.3m | 44.0 |
| | 46.0 | | | 5.1 | | | | 5.1 | | | 5.4/45.6m | 5.0 | | | | 6.0 | 4.8 | | | | | | 5.9 | 4.7 | 2.8 | 5.8 | 4.6 | 46.0 |
| 48.0 | | | 4.9/47.8m | | | | 4.8 | | | | 4.7 | | | | 5.5 | 4.5 | | | | | | 5.5 | 4.4 | | 5.5 | 4.3 | 48.0 | |
| 50.0 | | | | | | 3.0 | | | | 4.5 | 2.9/50.1m | | | | 4.4 | | | | | | | 5.1 | 4.1 | | 5.1 | 4.0 | 50.0 | |
| 52.0 | | | | | | 2.8 | | | | 4.4 | 4.0/50.7m | 2.7 | | | 4.2 | 2.5/52.3m | | | | | | 4.3/51.4m | 3.9 | | 4.7 | 3.7 | 52.0 | |
| 54.0 | | | | | | 2.6 | | | | 2.5 | | 4.0/53.7m | 2.3 | | | 3.8 | 2.1/54.4m | | | | | 3.6 | | | 4.3 | 3.5 | 54.0 | |
| 56.0 | | | | | | | 2.5/55.3m | | | 2.4 | | | 2.2 | | | 3.6 | 2.0 | | | | | 3.4 | 1.8/56.6m | | 3.8 | 3.3 | 56.0 | |
| 58.0 | | | | | | | | | | 2.2 | | | 2.1 | | | 3.5/56.6m | 1.8 | | | | | 3.2 | 1.7 | | 3.1 | 3.1 | 58.0 | |
| 60.0 | | | | | | | | | | | 2.2/58.3m | | 2.0 | | | | 1.7 | | | | | 3.1/59.6m | 1.5 | | 2.9 | 2.7 | 60.0 | |
| 62.0 | | | | | | | | | | | | | 1.8/61.2m | | | | 1.5 | | | | | | 1.4 | | 2.6 | 2.6 | 62.0 | |
| 64.0 | | | | | | | | | | | | | | | | | | 1.4 | | | | | | | 2.6/62.5m | 2.6 | 64.0 | |
| 66.0 | | | | | | | | | | | | | | | | | | | 1.4/64.2m | | | | | | | | 66.0 | |

※表中の太線で囲まれた部分は、ブーム等の強度によって定められた値です。
 ※ジブ長さ22.9mでの、ボールフックの使用はできません。

▶タワー長さ 51.7m

(単位:t)



| タワー長さm | 51.7 | | | | | | | | タワー長さm |
|--------|-----------|------------|-----------|-----------|------------|------------|-----------|-----------|--------|
| ジブ長さm | 22.9 | | | | 25.9 | | | | ジブ長さm |
| タワー角度 | 90° | 80° | 70° | 60° | 90° | 80° | 70° | 60° | タワー角度 |
| 9.4 | 20.0 | | | | | | | | 9.4 |
| 10.0 | 20.0 | | | | 20.0/10.2m | | | | 10.0 |
| 12.0 | 20.0 | | | | 20.0 | | | | 12.0 |
| 14.0 | 20.0 | | | | 19.2 | | | | 14.0 |
| 15.0 | 20.0 | | | | 18.6 | | | | 15.0 |
| 16.0 | 18.7 | | | | 18.1 | | | | 16.0 |
| 18.0 | 16.6 | | | | 16.6 | | | | 18.0 |
| 20.0 | 15.0 | | | | 15.0 | | | | 20.0 |
| 22.0 | 13.6 | 13.5/22.1m | | | 13.6 | 12.9/23.4m | | | 22.0 |
| 24.0 | 10.4 | 12.5 | | | 12.5 | 12.5 | | | 24.0 |
| 26.0 | 7.6/25.4m | 11.5 | | | 10.0 | 11.5 | | | 26.0 |
| 28.0 | | 10.7 | | | 7.2 | 10.7 | | | 28.0 |
| 30.0 | | 10.0 | | | 28.3m/6.5 | 10.0 | | | 30.0 |
| 32.0 | | 9.3 | | | | 9.3 | | | 32.0 |
| 34.0 | | 8.8 | 7.7/34.1m | | | 8.8 | 7.1/35.9m | | 34.0 |
| 36.0 | | 8.7/34.3m | 7.2 | | | 8.3 | 7.0 | | 36.0 |
| 38.0 | | | 6.7 | | | 8.2/37.3m | 6.5 | | 38.0 |
| 40.0 | | | 6.2 | | | | 6.1 | | 40.0 |
| 42.0 | | | 5.9 | | | | 5.7 | | 42.0 |
| 44.0 | | | 5.7/42.9m | 3.6/45.2m | | | 5.4 | | 44.0 |
| 46.0 | | | | 3.5 | | | 5.1/45.9m | 3.1/47.3m | 46.0 |
| 48.0 | | | | 3.2 | | | | 3.0 | 48.0 |
| 50.0 | | | | 3.0 | | | | 2.8 | 50.0 |
| 52.0 | | | | | 2.9/51.0m | | | 2.6 | 52.0 |
| 54.0 | | | | | | | | 2.4/53.9m | 54.0 |
| 56.0 | | | | | | | | | 56.0 |
| 58.0 | | | | | | | | | 58.0 |

(単位:t)

| タワー長さm | 51.7 | | | | | | | | | | | | | | | タワー長さm | | | | | | | | | | | | | | | |
|--------|------------|------------|-----------|-----------|------------|------------|-----------|-----------|-----|-----|------|-----|------------|------------|-----|--------|-----|-----|-----|-----|------|-----|-----|-----|-----|------|-----|-------|--|--|-------|
| ジブ長さm | 29.0 | | | | | 32.0 | | | | | 35.1 | | | | | 38.1 | | | | | 41.1 | | | | | 44.2 | | | | | ジブ長さm |
| タワー角度 | 90° | 80° | 70° | 60° | 90° | 80° | 70° | 60° | 90° | 80° | 70° | 60° | 90° | 80° | 70° | 90° | 80° | 70° | 90° | 80° | 70° | 90° | 80° | 70° | 90° | 80° | 70° | タワー角度 | | | |
| 10.0 | 20.0/11.0m | | | | 18.6/11.8m | | | | | | | | | | | | | | | | | | | | | | | 10.0 | | | |
| 12.0 | 19.4 | | | | 18.6 | | | | | | | | 16.5/12.5m | | | | | | | | | | | | | | | 12.0 | | | |
| 14.0 | 18.2 | | | | 17.4 | | | | | | | | 16.2 | | | | | | | | | | | | | | | 14.0 | | | |
| 15.0 | 17.7 | | | | 16.8 | | | | | | | | 15.9 | | | | | | | | | | | | | | | 15.0 | | | |
| 16.0 | 17.2 | | | | 16.4 | | | | | | | | 15.6 | | | | | | | | | | | | | | | 16.0 | | | |
| 18.0 | 16.3 | | | | 15.5 | | | | | | | | 14.7 | | | | | | | | | | | | | | | 18.0 | | | |
| 20.0 | 15.0 | | | | 14.7 | | | | | | | | 14.0 | | | | | | | | | | | | | | | 20.0 | | | |
| 22.0 | 13.6 | | | | 13.6 | | | | | | | | 13.4 | | | | | | | | | | | | | | | 22.0 | | | |
| 24.0 | 12.5 | 12.1/24.7m | | | 12.5 | 11.5/25.9m | | | | | | | 12.5 | | | | | | | | | | | | | | | 24.0 | | | |
| 26.0 | 11.4 | 11.5 | | | 11.5 | 11.5 | | | | | | | 11.5 | 10.7/27.2m | | | | | | | | | | | | | | 26.0 | | | |
| 28.0 | 9.4 | 10.7 | | | 10.3 | 10.7 | | | | | | | 10.7 | 10.3 | | | | | | | | | | | | | | 28.0 | | | |
| 30.0 | 7.3 | 10.0 | | | 8.7 | 10.0 | | | | | | | 9.4 | 9.9 | | | | | | | | | | | | | | 30.0 | | | |
| 32.0 | 5.5/31.2m | 9.3 | | | 7.1 | 9.3 | | | | | | | 8.1 | 9.3 | | | | | | | | | | | | | | 32.0 | | | |
| 34.0 | | 8.8 | | | 5.2 | 8.8 | | | | | | | 6.8 | 8.8 | | | | | | | | | | | | | | 34.0 | | | |
| 36.0 | | 8.3 | 6.5/37.6m | | 4.8/34.2m | 8.3 | | | | | | | 5.3 | 8.3 | | | | | | | | | | | | | | 36.0 | | | |
| 38.0 | | 7.6 | 6.4 | | | 7.8 | 6.0/39.4m | | | | | | 4.2/37.1m | 7.8 | | | | | | | | | | | | | | 38.0 | | | |
| 40.0 | | 6.9 | 5.9 | | | 7.4 | 5.8 | | | | | | 7.3 | 5.5/41.1m | | | | | | | | | | | | | | 40.0 | | | |
| 42.0 | | 6.8/40.2m | 5.6 | | | 6.8 | 5.5 | | | | | | 6.8 | 5.4 | | | | | | | | | | | | | | 42.0 | | | |
| 44.0 | | | 5.2 | | | 6.2/43.1m | 5.1 | | | | | | 6.3 | 5.0 | | | | | | | | | | | | | | 44.0 | | | |
| 46.0 | | | 4.9 | | | | 4.8 | | | | | | 5.7 | 4.7 | | | | | | | | | | | | | | 46.0 | | | |
| 48.0 | | | 4.6 | 2.6/49.5m | | | 4.5 | | | | | | 5.4/46.1m | 4.4 | | | | | | | | | | | | | | 48.0 | | | |
| 50.0 | | | 4.5/48.8m | 2.6 | | | 4.3 | 2.3/51.6m | | | | | 4.2 | | | | | | | | | | | | | | | 50.0 | | | |
| 52.0 | | | | 2.5 | | | 4.1/51.8m | 2.2 | | | | | 3.9 | 1.9/53.8m | | | | | | | | | | | | | | 52.0 | | | |
| 54.0 | | | | 2.3 | | | | 2.1 | | | | | 3.7 | 1.9 | | | | | | | | | | | | | | 54.0 | | | |
| 56.0 | | | | 2.1 | | | | 2.0 | | | | | 3.6/54.7m | 1.8 | | | | | | | | | | | | | | 56.0 | | | |
| 58.0 | | | | | 2.0/56.8m | | | 1.8 | | | | | 1.6 | | | | | | | | | | | | | | | 58.0 | | | |
| 60.0 | | | | | | | | 1.7/59.8m | | | | | 1.5 | | | | | | | | | | | | | | | 60.0 | | | |
| 62.0 | | | | | | | | | | | | | 1.4 | | | | | | | | | | | | | | | 62.0 | | | |
| 64.0 | | | | | | | | | | | | | | | | | | | | | | | | | | | | 64.0 | | | |

※表中の太線で囲まれた部分は、ブーム等の強度によって定められた値です。
 ※ジブ長さ22.9mでの、ボールフックの使用はできません。